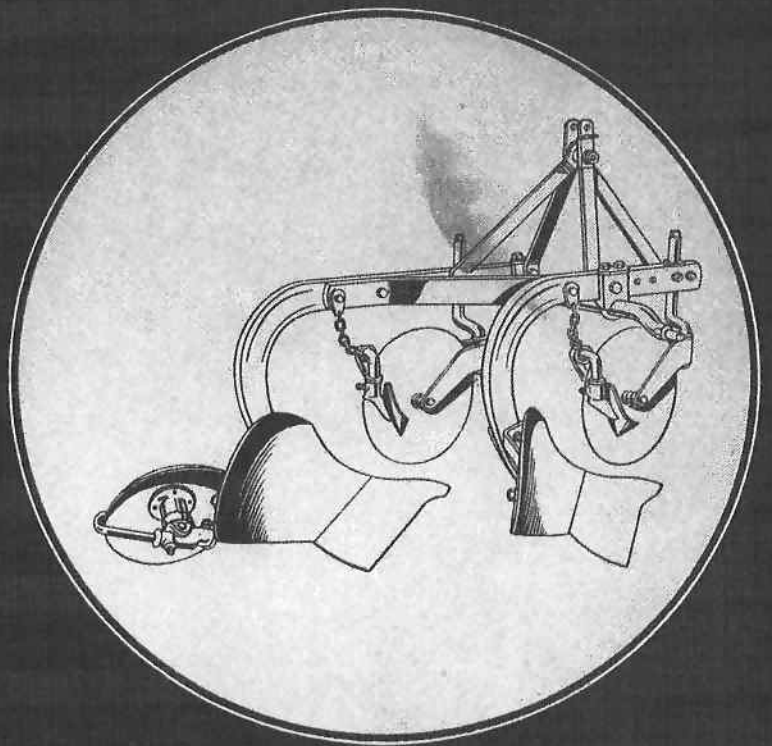


*Harry Ferguson, Ltd.*  
*Coventry*



**PLOUGH**

**PARTS**

**LIST**

**1951**

## FOREWORD

*Ferguson* Tractors and Implements are designed and built for maximum performance and long life, and all service parts are manufactured with the same care and precision exercised in production.

STOCK AND SELL ONLY GENUINE

*Ferguson* SPARE PARTS

YOUR CUSTOMERS EXPECT IT OF YOU !!



INDEX

Numerical Index	Page
Frame	1
Base	3
Coulter and Skimmer	7
Furrow Wheel	9
	11

NUMERICAL INDEX

Part No.	Description	Page	Part No.	Description	Page
16AE101	Collar	9	10AE7804C	Brace	3
10HAE110	Mouldboard	7	12AE7804C	Brace	3
12BAE110	Mouldboard	7	16AE7804A	Brace	3
CAE110	Mouldboard	7	10AE7808	Cross Shaft Assy.	3
10HCAE127	Share, Cast Iron, 8" Wing, Sharp Point	7	12AE7808	Cross Shaft Assy.	3
		7	AE8000C	Strut	3
10HCAE131	Share, Cast Iron	7	AE8002C	Strut	3
10HFAE131	Share, Fabricated Steel	7	16AE8002A	Strut	3
12BCAE131	Share, Cast Iron	7	AE8004C	Strut	3
12BFAE131	Share, Fabricated Steel, 12" Wing	7	AE8005C	Strut	3
12BFAE191	Share, Fabricated Steel, 10" Wing	7	AE9500D	"U" Bolt	5
16CFAE121	Share, Fabricated Steel	7	AE9501	"U" Bolt	11
AE140B	Extension	7	AE9511C	Eye Bolt	3
10HAE173	Landside, Front	7	AE9520	Seal	11
12BAE173A	Landside, Front	7	KE9551	Spacer	3
10HAE175	Landside, Rear	7	AE9566C	Spacer	5
12BAE175A	Landside, Rear	7	BAE9570	Shim	7
CAE175	Landside, Long	7	CAE9570	Shim	7
AE177	Gasket, Furrow Wheel	11	HAE9570	Shim	7
AE178C	Blade Assy., Skimmer	9	AE9575C	Stopper, Pin	5
16AE178	Blade Assy., Skimmer	9	AE9588D	Clamp	5
AE194	Disc and Hub Assy., Plain	9	AE9645D	Clamp	5
16AE194	Disc and Hub Assy.	9	AE9646D	Clamp	3
AE195	Disc and Hub Assy., Cutout	9	44FBH88B	Bolt, Hex., $\frac{7}{16}$ " dia. x .88 long	11
AE202	Disc, Plain	9	44FBP100B	Bolt, Plough, $\frac{7}{16}$ " dia. x 1.00 long	7
16AE202	Disc, Plain	9	44FBP112B	Bolt, Plough, $\frac{7}{16}$ " dia. x 1.12 long	7
AE204	Disc, Cutout	9	44FBH125B	Bolt, Hex., $\frac{7}{16}$ " dia. x 1.25" long	9
16AE204	Disc, Cutout	9	44FBP125B	Bolt, Plough, $\frac{7}{16}$ " dia. x 1.25" long	7, 9
AE1505C	Chain and Anchor Assy.	9	44FBH131B	Bolt, Hex., $\frac{7}{16}$ " dia. x 1.31" long	9
10HAE3800C	Saddle	7	44FBH238B	Bolt, Hex., $\frac{7}{16}$ " dia. x 2.38" long	11
12BAE3800C	Saddle	7	44FBH468B	Bolt, Hex., $\frac{7}{16}$ " dia. x 4.68" long	9
CAE3800	Saddle	7	62FBP180B	Bolt, Plough, $\frac{5}{8}$ " dia. x 1.80" long	7, 11
AE3802B2	Bracket	11	62FBB212B	Bolt, Button Head, $\frac{5}{8}$ " dia. x 2.12" long	3
AE3803A2	Arm	9	62FBB231B	Bolt, Button Head, $\frac{5}{8}$ " dia. x 2.31" long	3
AE3804	Palm, Skimmer	9	62FBP250B	Bolt, Plough, $\frac{5}{8}$ " dia. x 2.50" long	3, 7
AE3805A2	Stem Assy.	9	62FBB268B	Bolt, Button Head, $\frac{5}{8}$ " dia. x 2.68" long	5
16AE3805B	Coulter Stem Assy.	11	62FBP275B	Bolt, Plough, $\frac{5}{8}$ " dia. x 2.75" long	7
AE3806	Scraper	7	62FBH318B	Bolt, Hex., $\frac{5}{8}$ " dia. x 3.18" long	3
10HAE3810	Bracket, Mouldboard	7	62FBH338B	Bolt, Hex., $\frac{5}{8}$ " dia. x 3.38" long	3, 5
12BAE3810	Bracket, Mouldboard	7	62FBH350B	Bolt, Hex., $\frac{5}{8}$ " dia. x 3.50" long	3
10HAE3811	Bracket, Mouldboard	7	62FBH462B	Bolt, Hex., $\frac{5}{8}$ " dia. x 4.62" long	5
12BAE3811	Bracket, Mouldboard	7	62FBH531B	Bolt, Hex., $\frac{5}{8}$ " dia. x 5.31" long	5
CAE3811	Bracket, Mouldboard	7	44FNHC	Nut, Hex., $\frac{7}{16}$ "	7, 9, 11
CAE3815	Clip	9	62FNHC	Nut, Hex., $\frac{5}{8}$ "	3, 5, 7, 11
AE3861A2	Fork Assy.	9	44WFFHB	Washer, Flat, Heavy, $\frac{7}{16}$ "	9, 11
16AE3861B	Fork Assy.	3	44WLB	Washer, Lock, $\frac{7}{16}$ "	9, 11
AE3918D	Seat	9	50WFFHB	Washer, Flat, Heavy, $\frac{1}{2}$ "	7
AE5500	Cover	11	62WFB	Washer, Flat, $\frac{5}{8}$ "	5
AE5502B	Cap	9	62WLB	Washer, Lock, $\frac{5}{8}$ "	3, 5, 7, 11
AE5503A2	Bushing	9	S9533	Washer	11
AE5505A2	Hub	11	12PC63	Pin, Cotter, $\frac{1}{4}$ " dia. x .63" long	11
AE5515	Bearing	11	25PC250	Pin, Cotter, $\frac{1}{4}$ " dia. x 2.50" long	9
AE6610C	Wheel and Hub, Furrow	11	62CSS88C	Screw, Set, $\frac{5}{16}$ " dia. x .88" long	9, 11
AE6620B	Bracket and Bearing Assy.	11	31RB134	Rivet, Button Head, $\frac{5}{16}$ " dia. x 1.34" long	9
AE6621	Plate	11	31RB138	Rivet, Button Head, $\frac{5}{16}$ " dia. x 1.38" long	9
AE6622	Pin	11	12PLF	Lubricator, $\frac{1}{8}$ "	9, 11
AE6623	Pin	11			
AE7000B	Spring	11			
AE7400A2	Axle	11			
AE7801C2	Beam	5			
16AE7801A	Beam	5			
AE7802C2	Beam	3			

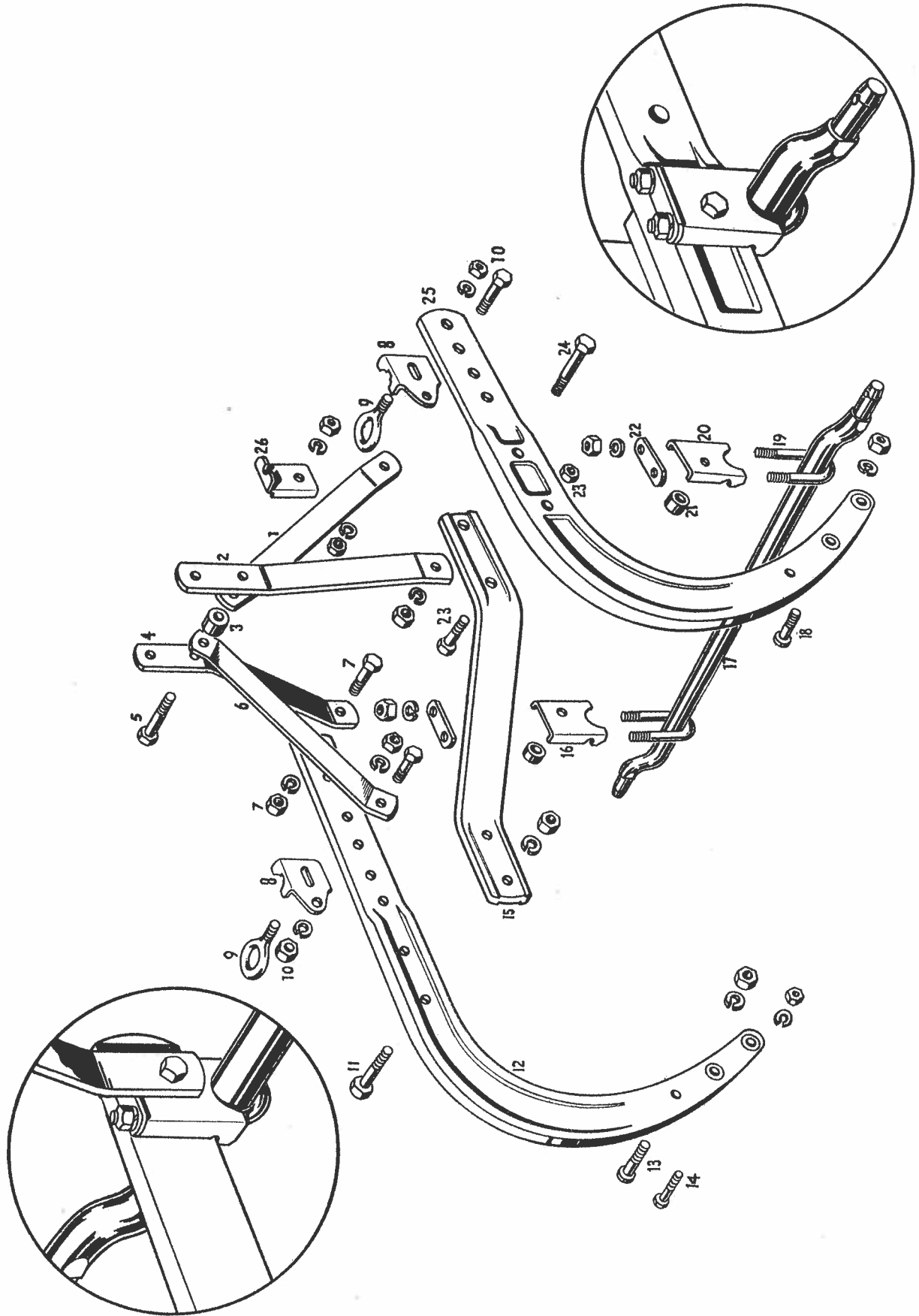


Fig. i

## P L O U G H P A R T S L I S T

Ref. No.	Part No.	Description	No. Off 10"	No. Off 12"	No. Off 16"	Remarks
<b>Fig. i.—FRAME ASSEMBLY</b>						
1	AE8005C	<b>Strut—Front R.H.</b> ... ..	1	1		
2	AE8004C	<b>Strut—Vertical R.H.</b> ... ..	1	1	1	
3	KE9551	<b>Spacer—Strut Top</b> ... ..	1	1	1	
4	AE8000C AE8004C	<b>Strut—Vertical L.H.</b> ... .. <b>Strut—Vertical R.H. used for L.H.</b> ... ..	1	1	1	
5	62FBH350B 62FNHC 62WLB	<b>Bolt—Strut to Spacer to Stopper</b> ... .. <b>Nut—Strut to Spacer to Stopper</b> ... .. <b>Lockwasher—Strut to Spacer to Stopper</b> ... ..	1	1	1	
6	AE8002C AE8005C 16AE8002A	<b>Strut—Rear L.H.</b> ... .. <b>Strut—Rear L.H.</b> ... .. <b>Strut—Rear</b> ... ..	1	1	2	
7	62FBH318B 62FNHC 62WLB	<b>Bolt—Strut L.H. to Clamp to Beam</b> ... .. <b>Nut—Strut L.H. to Clamp to Beam</b> ... .. <b>Lockwasher—Strut L.H. to Clamp to Beam</b> ... ..	1	1	1	
8	AE3918D	<b>Seat—Coulter Stem—Front and Rear</b> ... ..	2	2	1	
9	AE9511C 62FNHC 62WLB	<b>Eye Bolt—Coulter Stem Front and Rear</b> ... .. <b>Nut—Coulter Stem Front and Rear</b> ... .. <b>Lockwasher—Coulter Stem Front and Rear</b> ... ..	2	2	1	
10	62FBH250B 62FNHC 62WLB	<b>Bolt—Beams to Coulter Seats to Struts</b> ... .. <b>Nut—Beams to Coulter Seats to Struts</b> ... .. <b>Lockwasher—Beams to Coulter Seats to Struts...</b> ... ..	2	2	2	
11	62FBH338B 62FNHC 62WLB	<b>Bolt—Long Beam to Brace</b> ... .. <b>Nut—Long Beam to Brace</b> ... .. <b>Lockwasher—Long Beam to Brace</b> ... ..	2	2	2	
12	AE7802C2	<b>Beam—Long</b> ... ..	1	1		
13	62FBB231B 62FNHC 62WLB	<b>Bolt—Long Beam to Base—Top Hole</b> ... .. <b>Nut—Long Beam to Base—Top Hole</b> ... .. <b>Lockwasher—Long Beam to Base—Top Hole</b> ... ..	1	1	1	
14	62FBB212B 62FNHC 62WLB	<b>Bolt—Beams to Bases—Centre Hole</b> ... .. <b>Nut—Beams to Bases—Centre Hole</b> ... .. <b>Lockwasher—Beams to Bases—Centre Hole</b> ... ..	2	2	2	
15	10AE7804C 12AE7804C 16AE7804A	<b>Brace—Beam</b> ... .. <b>Brace—Beam</b> ... .. <b>Brace—Beam</b> ... ..	1	1	2	
16	AE9646D	<b>Clamp—L.H. Cross Shaft to Beam...</b> ... ..	1	1		
17	10AE7808 12AE7808	<b>Shaft—Cross</b> ... .. <b>Shaft—Cross</b> ... ..	1	1	1	

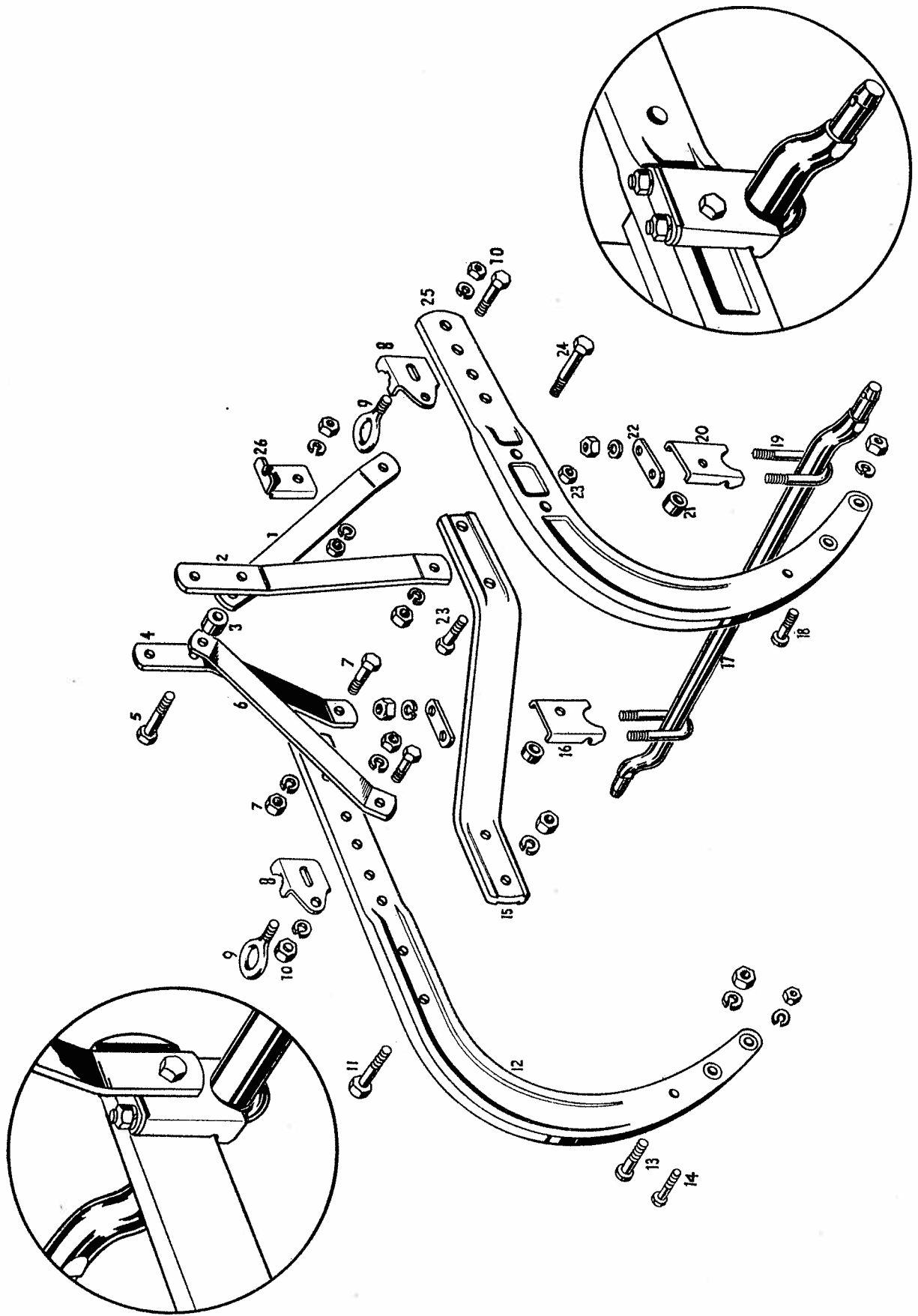


Fig. i

## P L O U G H P A R T S L I S T

Ref. No.	Part No.	Description	No. Off 10"	No. Off 12"	No. Off 16"	Remarks
<b>Fig. i.—FRAME ASSEMBLY</b>						
18	62FBB268B	<b>Bolt</b> —Short Beam to Base—Top Hole ... ..	1	1		
	62FNHC	<b>Nut</b> —Short Beam to Base—Top Hole ... ..	1	1		
	62WLB	<b>Lockwasher</b> —Short Beam to Base—Top Hole ...	1	1		
19	AE9500D	<b>"U" Bolt</b> —Cross Shaft to Beams ... ..	2	2	2	
	62FNHC	<b>Nut</b> —Cross Shaft to Beams ... ..	4	4	4	
	62WLB	<b>Lockwasher</b> —Cross Shaft to Beams ... ..	4	4	4	
20	AE9645D	<b>Clamp</b> —Cross Shaft to Beam ... ..	1	1	1	
21	AE9566C	<b>Spacer</b> —Clamp to Beam—R.H. and L.H. ... ..	2	2	2	
22	AE9588D	<b>Clamp "U" Bolt</b> ... ..	2	2	2	
23	62FBH531B	<b>Bolt</b> —Brace to Beam... ..	1	1	1	
	62FBH338B	<b>Bolt</b> —Brace to Short Beam ... ..	1	1	1	
	62FNHC	<b>Nut</b> —Brace to Short Beam ... ..	1	1	1	
	62WFB	<b>Washer</b> —Brace to Beam ... ..	1	1	1	
24	62FBH462B	<b>Bolt</b> —Clamp R.H. to Beam to Brace to Vertical Strut ... ..	1	1	1	
	62FNHC	<b>Nut</b> —Clamp R.H. to Beam to Brace to Vertical Strut ... ..	1	1	1	
	62WLB	<b>Lockwasher</b> —Clamp R.H. to Beam to Brace to Vertical Strut ... ..	1	1	1	
25	AE7801C2	<b>Beam</b> —Short ... ..	1	1	1	
	16AE7801A	<b>Beam</b> ... ..	1	1	1	
26	AE9575C	<b>Stopper</b> —Pin ... ..	1	1	1	

X

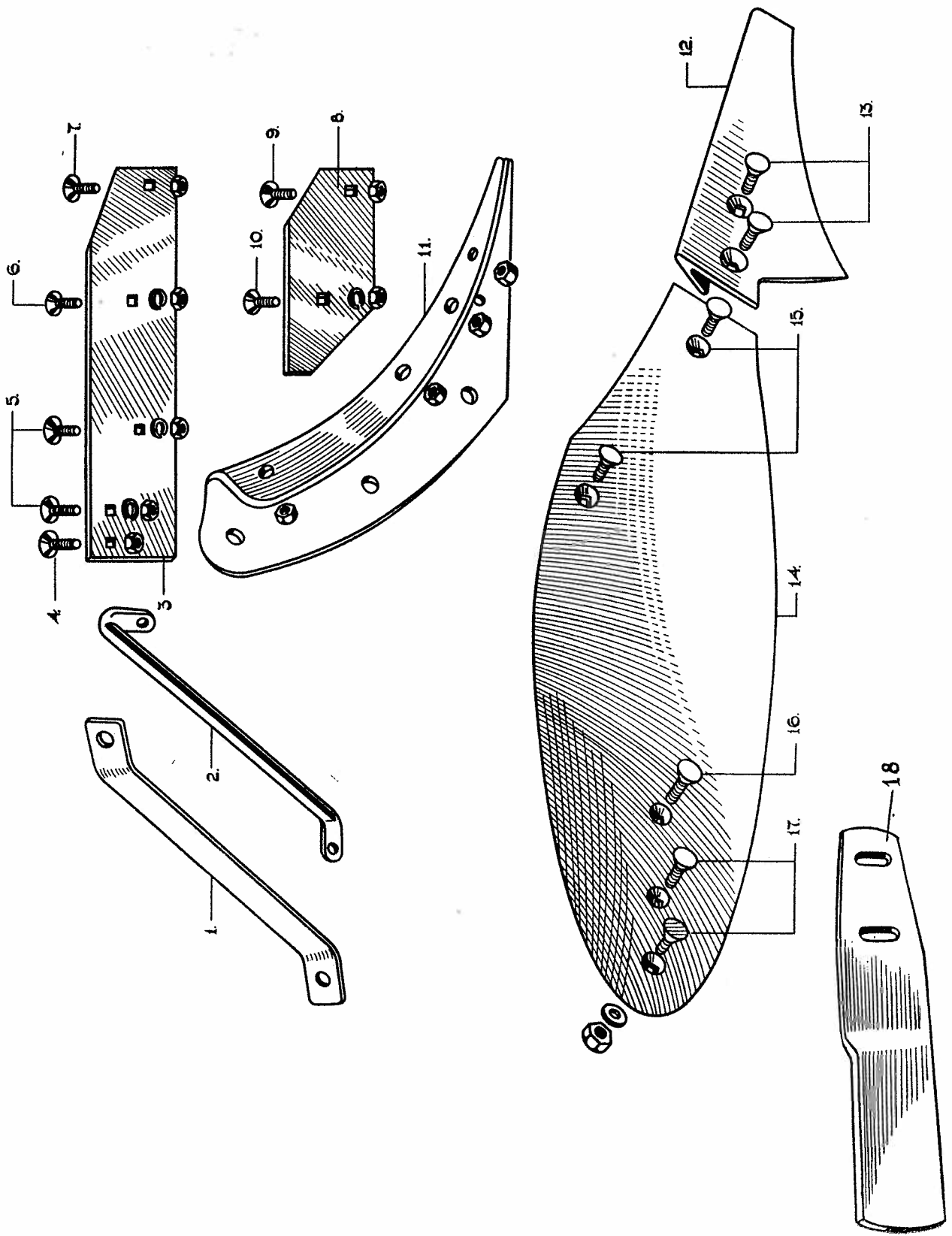


Fig. ii.



**P L O U G H P A R T S L I S T**

Ref. No.	Part No.	Description	No. Off 10"	No. Off 12"	No. Off 16"	Remarks
<b>Fig. ii—BASE ASSEMBLY</b>						
1	10HAE3810	Bracket—Mouldboard—Front ... ..	1			
	12BAE3810	Bracket—Mouldboard—Front ... ..		1		
2	10HAE3811	Bracket—Mouldboard—Rear ... ..	1			
	12BAE3811	Bracket—Mouldboard—Rear ... ..		1		
	CAE3811	Bracket—Mouldboard ... ..			1	
3	10HAE175	Landside—Rear ... ..	1			
	12BAE175A	Landside—Rear ... ..		1		
	CAE175	Landside—Long ... ..			1	
4	44FBP112B	Bolt—Landside Rear to Bracket ... ..	1	1	1	
	44FNHC	Nut—Landside—Rear—to Bracket ... ..	1	1	1	
5	62FBP180B	Bolt—Landside—Rear—to Furrow Wheel Bracket	2	2	2	
	62FNHC	Nut—Landside—Rear—to Furrow Wheel Bracket	2	2	2	
	62WLB	Lockwasher—Landside—Rear to Furrow Wheel Bracket ... ..	2	2	2	
6	62FBP250B	Bolt—Landside—Rear—to Saddle ... ..	1	1		
	62FBP275B	Bolt—Landside to Saddle ... ..			1	
	62FNHC	Nut—Landside—Rear—to Saddle ... ..	1	1	1	
	62WLB	Lockwasher—Landside—Rear—to Saddle ... ..	1	1	1	
7	44FBP125B	Bolt—Landside—Rear—to Saddle ... ..	1	1		
	44FNHC	Nut—Landside—Rear to Saddle ... ..	1	1	1	
8	10HAE173	Landside—Front ... ..	1			
	12BAE173A	Landside—Front ... ..		1		
9	44FBP125B	Bolt—Landside—Front—to Saddle... ..	1	1		
	44FNHC	Nut—Landside—Front—to Saddle ... ..	1	1	1	
10	62FBP250B	Bolt—Landside—Front—to Saddle ... ..	1	1		
	62FNHC	Nut—Landside—Front—to Saddle ... ..	1	1	1	
	62WLB	Lockwasher—Landside—Front to Saddle ... ..	1	1	1	
11	10HAE3800C	Saddle ... ..	2			
	12BAE3800C	Saddle ... ..		2		
	CAE3800C	Saddle ... ..			1	
12	10HCAE127	Share—Cast Iron—8" Wing—Sharp Point ... ..	2			
	10HCAE131	Share—Cast Iron ... ..	2			
	10HFAE131	Share—Fabricated Steel ... ..	2			
	12BCAE131	Share—Cast Iron ... ..		2		
	12BFAE131	Share—Fabricated Steel—12" Wing ... ..		2		
	12BFAE191	Share—Fabricated Steel—10" Wing ... ..		2		
	16CFAE121	Share—Fabricated Steel ... ..			1	
13	44FBP125B	Bolt—Share to Saddle ... ..	4	4	2	
	44FNHC	Nut—Share to Saddle ... ..	4	4	2	
14	10HAE110	Mouldboard Assy.—including items 15, 16 and 17	2			
	12BAE110	Mouldboard Assy.—including items 15, 16 and 17		2		
	CAE110	Mouldboard Assy.—including items 15, 16 and 17			1	
15	44FBP125B	Bolt—Mouldboard to Bracket ... ..	4	6	3	
	44FNHC	Nut—Mouldboard to Bracket ... ..	4	6	3	
16	44FBP112B	Bolt—Mouldboard to Bracket ... ..	2	2	1	
	44FNHC	Nut—Mouldboard to Bracket ... ..	2	2	1	
	50WFHB	Washer—Mouldboard to Bracket ... ..	2	2	1	
17	44FBP112B	Bolt—Mouldboard to Extension ... ..	4	4	2	
	44FNHC	Nut—Mouldboard to Extension ... ..	4	4	2	
	50WFHB	Washer—Mouldboard to Extension ... ..	4	4	2	
18	AE140B	Extension—Mouldboard ... ..	2	2	1	
<b>Not Illustrated</b>						
	44FBP100B	Bolt—Clip to Share ... ..			2	
	44FNHC	Nut—Clip to Share ... ..			2	
	CAE3815	Clip ... ..			1	
	44FBP100B	Bolt—Mouldboard to Clip ... ..			2	
	44FNHC	Nut—Mouldboard to Clip ... ..			2	
	BAE9570	Shim—Mouldboard Fitting ... ..		1		
	CAE9570	Shim—Mouldboard Fitting ... ..			1	
	HAE9570	Shim—Mouldboard Fitting ... ..	1			

X

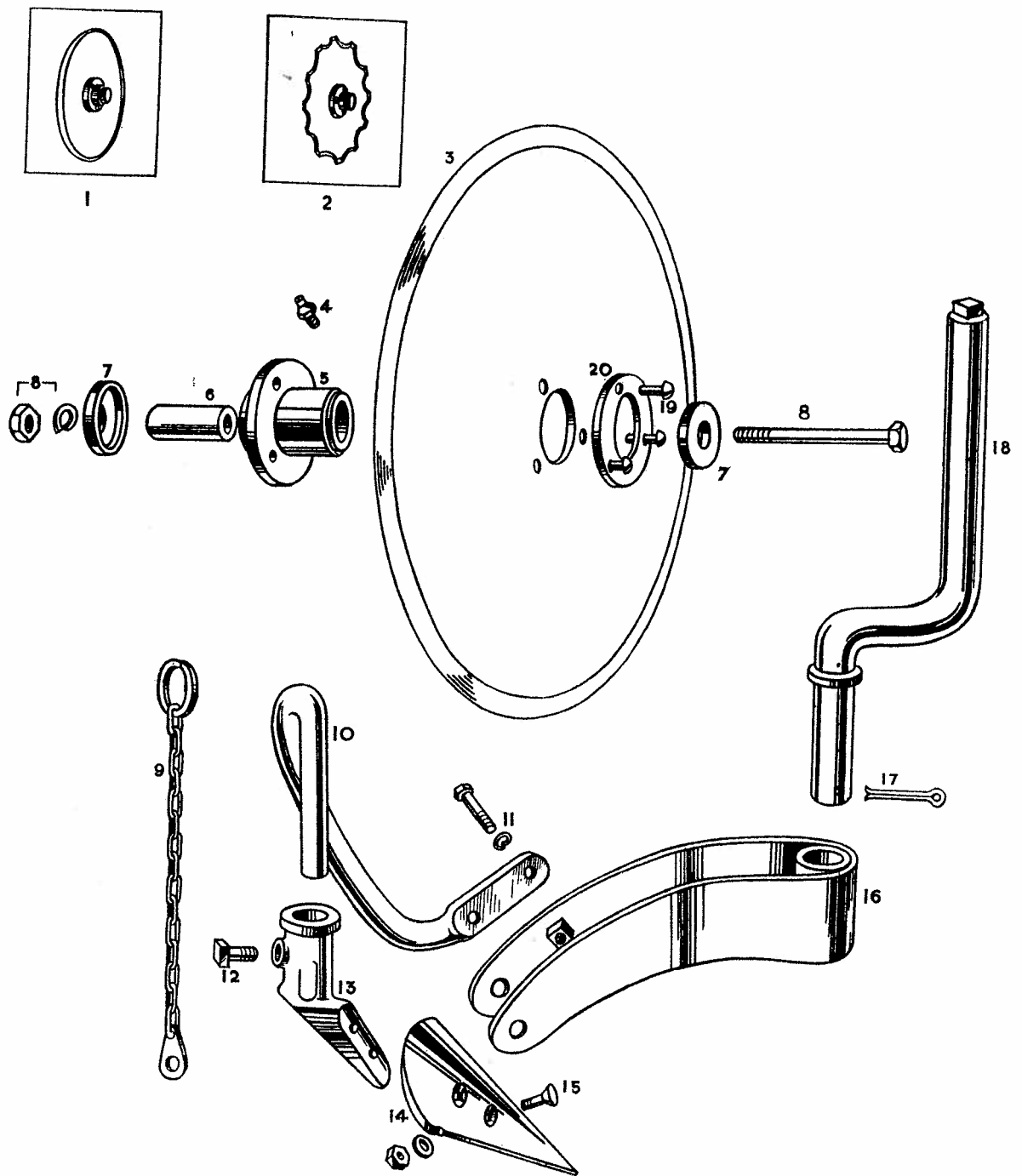


Fig. iii

